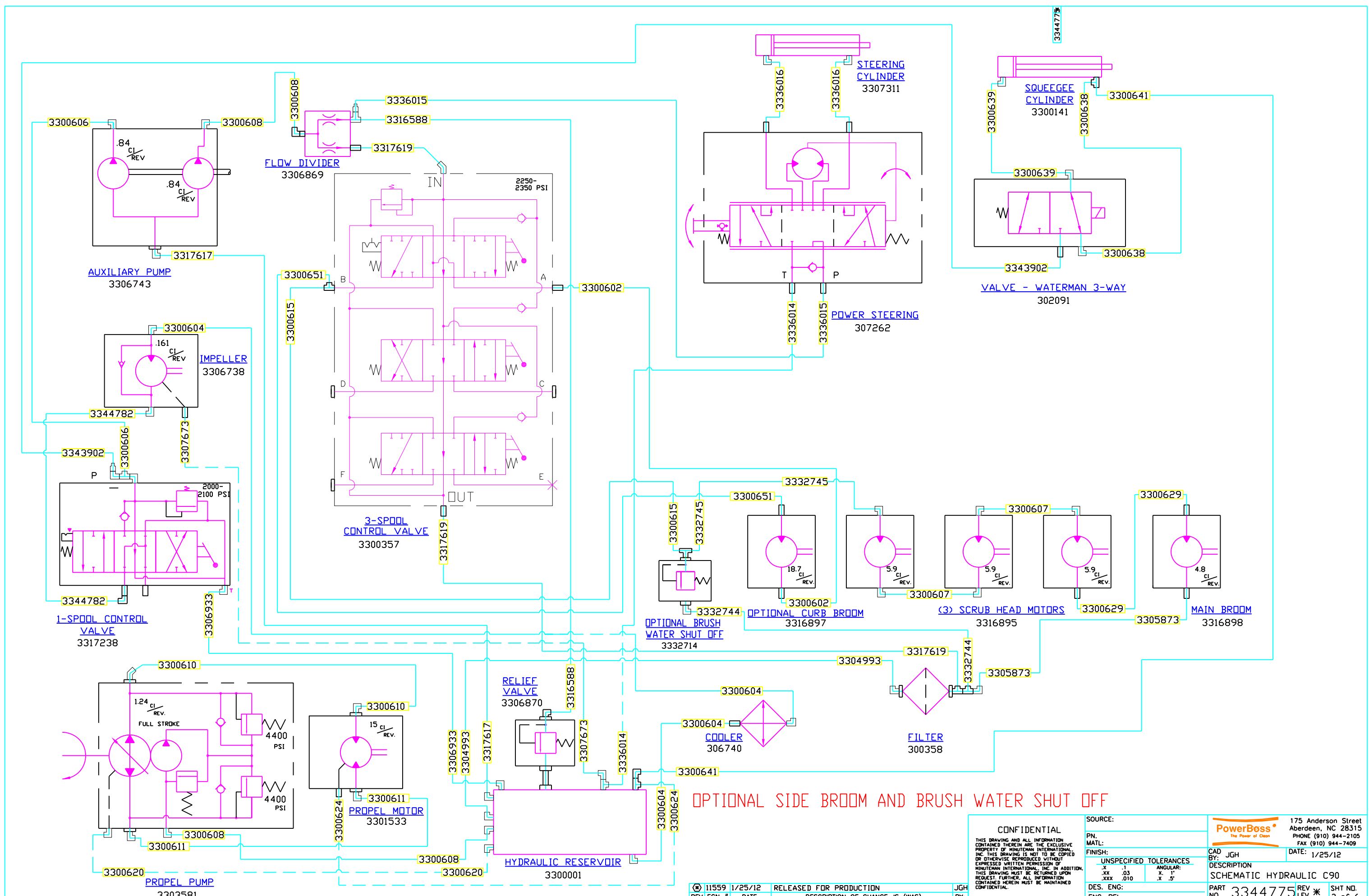


OPTIONAL BRUSH WATER SHUT OFF

<p>CONFIDENTIAL</p> <p>THIS DRAWING AND ALL INFORMATION CONTAINED THEREIN ARE THE EXCLUSIVE PROPERTY OF MINUTEMAN INTERNATIONAL, INC. THIS DRAWING IS NOT TO BE COPIED OR OTHERWISE REPRODUCED WITHOUT EXPRESSED WRITTEN PERMISSION OF MINUTEMAN INTERNATIONAL, INC. IN ADDITION, THIS DRAWING MUST BE RETURNED UPON REQUEST. FURTHER, ALL INFORMATION CONTAINED HEREIN MUST BE MAINTAINED CONFIDENTIAL.</p>	SOURCE:	<p>175 Anderson Street Aberdeen, NC 28315 PHONE (910) 944-2105 FAX (910) 944-7409</p>
	PN:	
	MATL:	DATE: 1/25/12
	FINISH:	DESCRIPTION
	UNSPECIFIED TOLERANCES:	SCHEMATIC HYDRAULIC C90
.XX .1	ANGULAR:	<p>PART NO. 3344775</p> <p>REV * 1 of 6</p>
.XX .03	X 1"	
.XXX .010	.X .5"	
DES. ENG:	PART NO.	REV * 1 of 6
ENG. REL:	NO.	LEV * 1 of 6

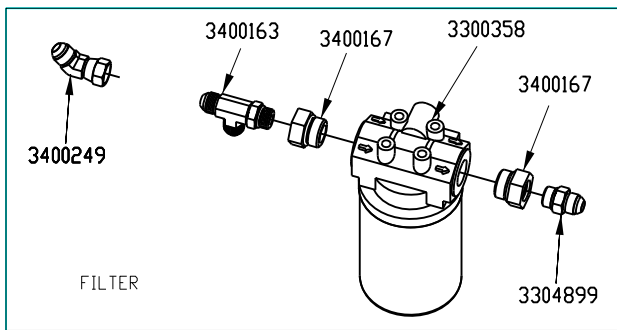
11559	1/25/12	RELEASED FOR PRODUCTION	JGH
REV ECN #	DATE	DESCRIPTION OF CHANGE-IS (WAS)	BY:



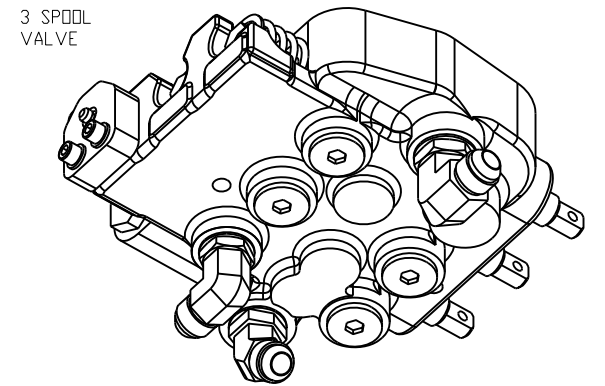
OPTIONAL SIDE BROOM AND BRUSH WATER SHUT OFF

<p>CONFIDENTIAL</p> <p>THIS DRAWING AND ALL INFORMATION CONTAINED THEREIN ARE THE EXCLUSIVE PROPERTY OF MINITEMAN INTERNATIONAL. THIS DRAWING IS NOT TO BE COPIED OR OTHERWISE REPRODUCED WITHOUT EXPRESSED WRITTEN PERMISSION OF MINITEMAN INTERNATIONAL, INC. IN ADDITION, THIS DRAWING MUST BE RETURNED UPON REQUEST. FURTHER, ALL INFORMATION CONTAINED HEREIN MUST BE MAINTAINED CONFIDENTIAL.</p>	SOURCE:		175 Anderson Street Aberdeen, NC 28315 PHONE (910) 944-2105 FAX (910) 944-7409	
	PN. MATL:		CAD BY: JGH	DATE: 1/25/12
	FINISH:	UNSPECIFIED TOLERANCES:	DESCRIPTION	
	DES. ENG:	ENG. REL:	SCHEMATIC HYDRAULIC C90	
REV #	DATE	RELEASED FOR PRODUCTION	BY: JGH	
REV #	DATE	DESCRIPTION OF CHANGE-IS (WAS)		
PART NO. 3344775	REV * 2 of 6			

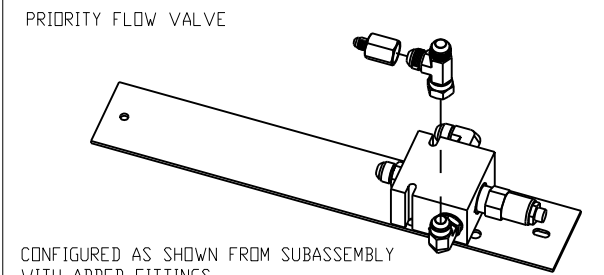
11559 1/25/12 RELEASED FOR PRODUCTION JGH
REV ECN # DATE DESCRIPTION OF CHANGE-IS (WAS) BY:



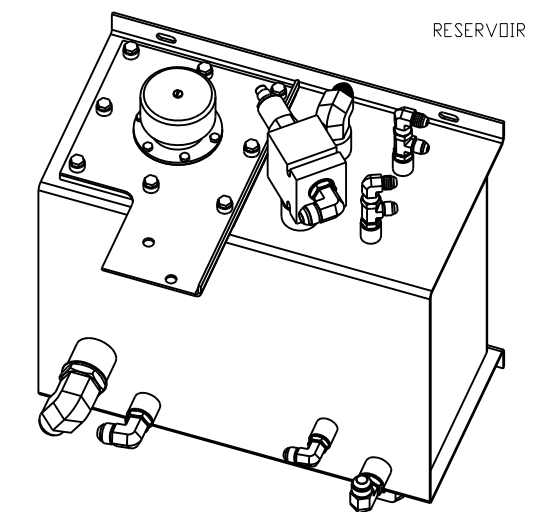
3344775



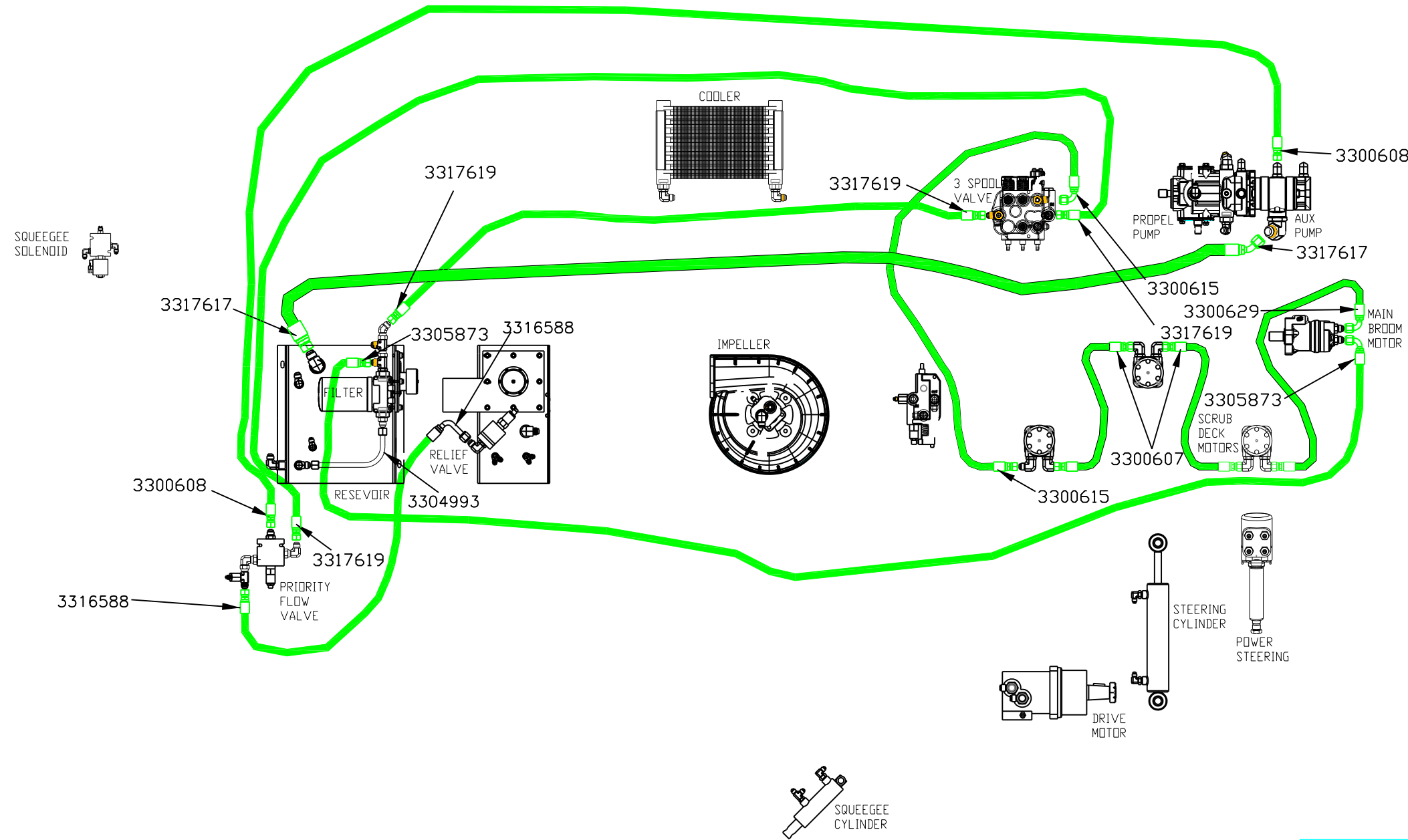
CONFIGURED AS SHOWN FROM SUBASSEMBLY



CONFIGURED AS SHOWN FROM SUBASSEMBLY WITH ADDED FITTINGS



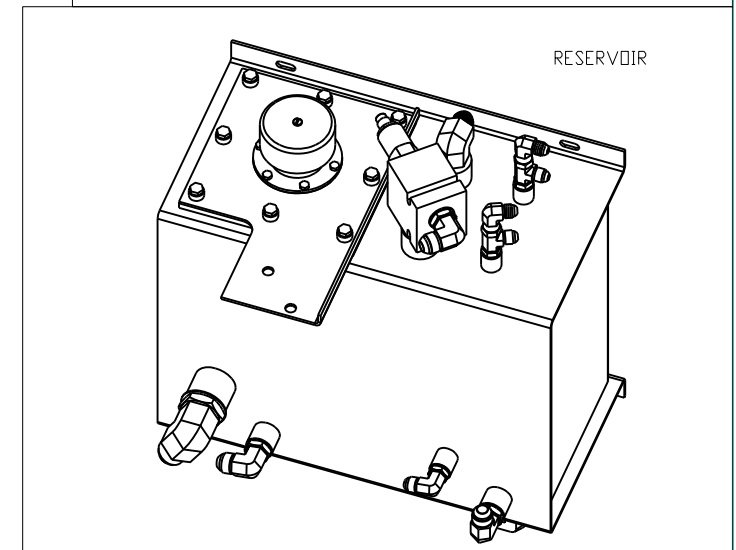
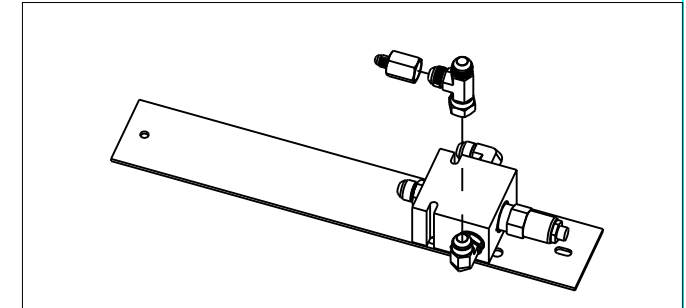
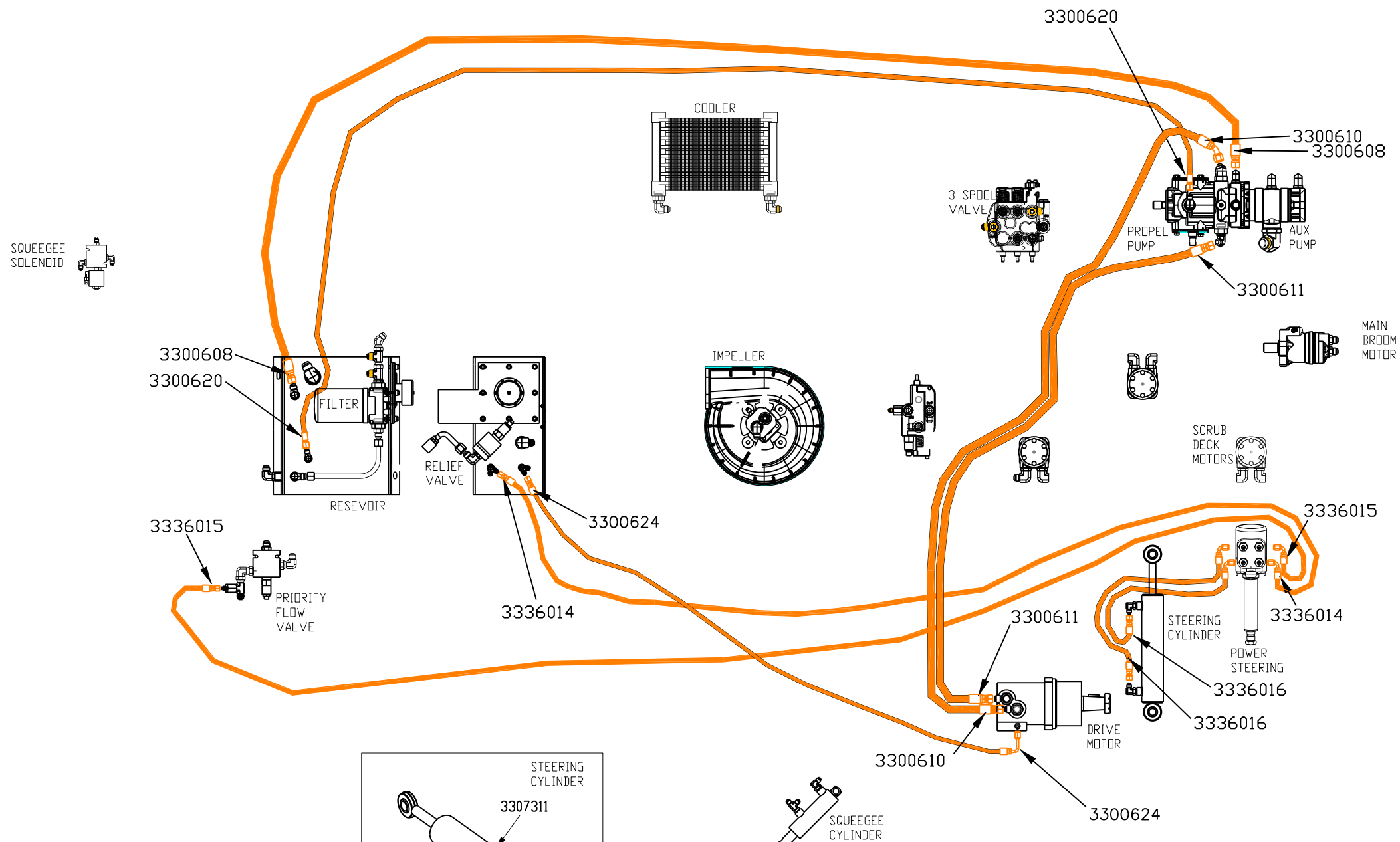
CONFIGURED AS SHOWN FROM SUBASSEMBLY WITH ADDED FITTINGS



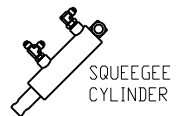
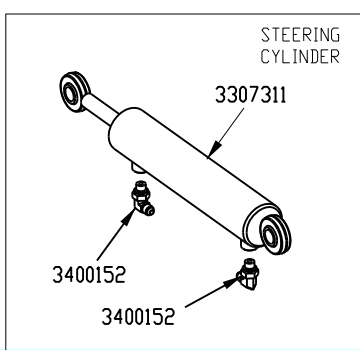
BROOM AND SCRUB FUNCTIONS

<p>CONFIDENTIAL THIS DRAWING AND ALL INFORMATION CONTAINED THEREIN ARE THE EXCLUSIVE PROPERTY OF MINUTEMAN INTERNATIONAL, INC. THIS DRAWING IS NOT TO BE COPIED OR OTHERWISE REPRODUCED WITHOUT EXPRESSED WRITTEN PERMISSION OF MINUTEMAN INTERNATIONAL, INC. IN ADDITION, THIS DRAWING MUST BE RETURNED UPON REQUEST. FURTHER, ALL INFORMATION CONTAINED HEREIN MUST BE MAINTAINED CONFIDENTIAL.</p>		<p>SOURCE: PN: MATERIAL: FINISH: UNSPECIFIED TOLERANCES: DES. ENG: ENG. REL:</p>	<p>175 Anderson Street Aberdeen, NC 28315 PHONE (910) 944-2105 FAX (910) 944-7409</p>
<p>DATE: 1/25/12 BY: JGH DESCRIPTION: SCHEMATIC HYDRAULIC C90</p>	<p>PART NO. 3344775</p>	<p>REV * 3 of 6</p>	<p>DATE: 1/25/12</p>

11559	1/25/12	RELEASED FOR PRODUCTION	JGH
REV ECN #	DATE	DESCRIPTION OF CHANGE--IS (WAS)	BY:



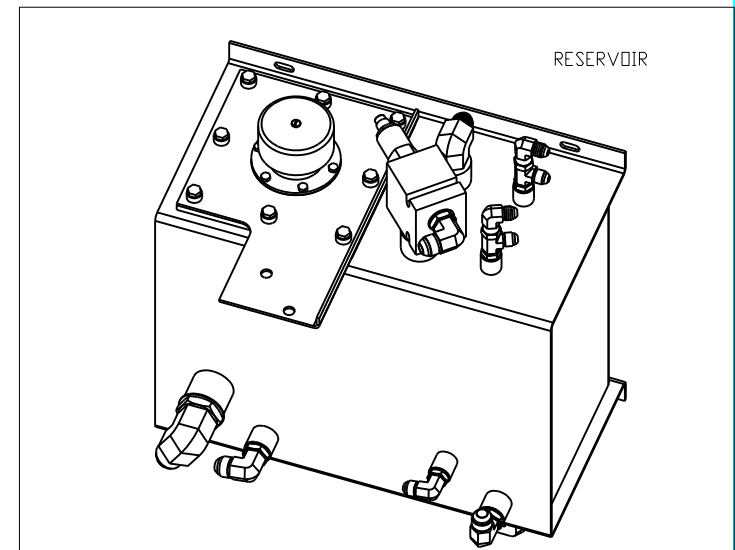
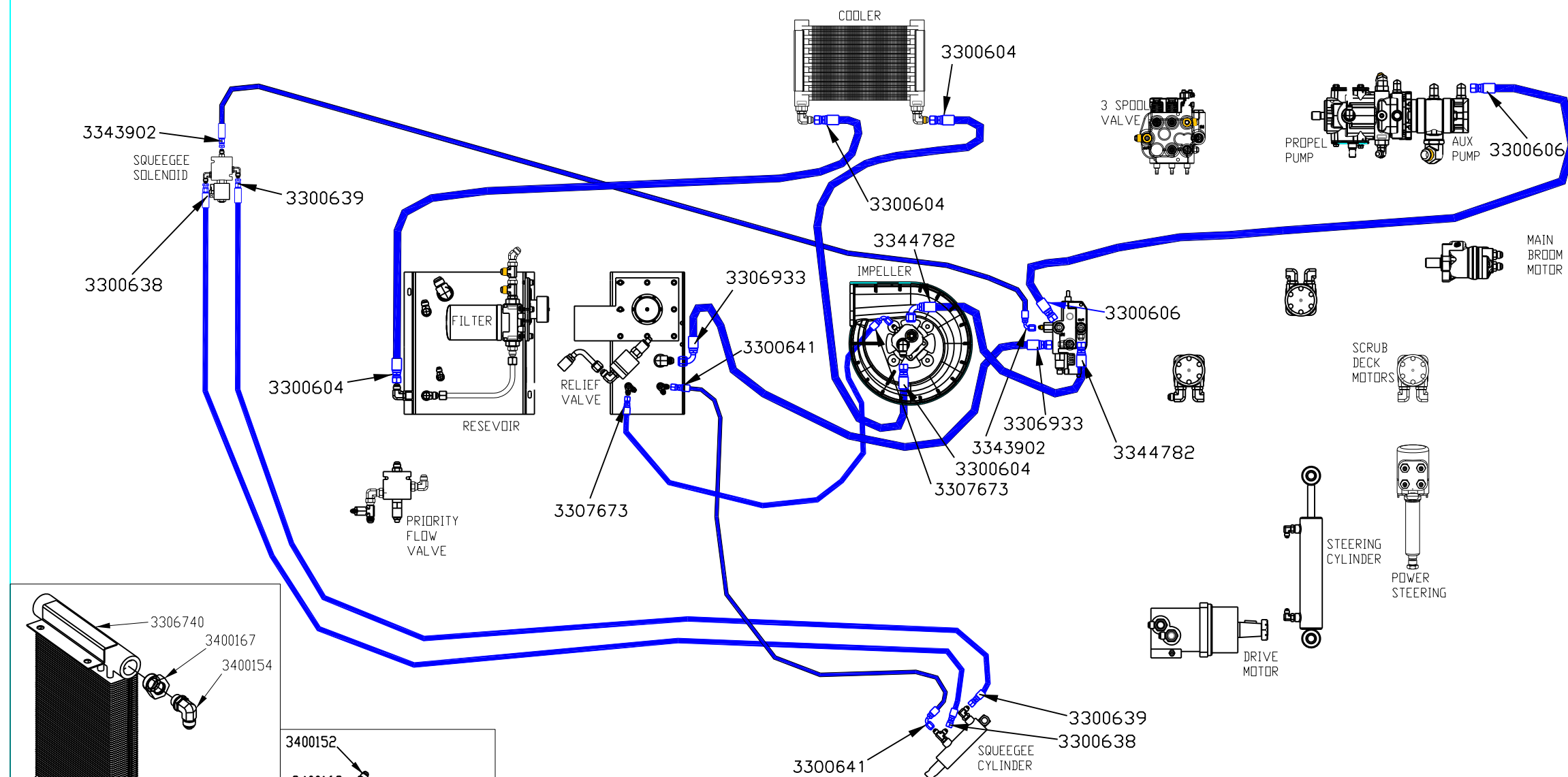
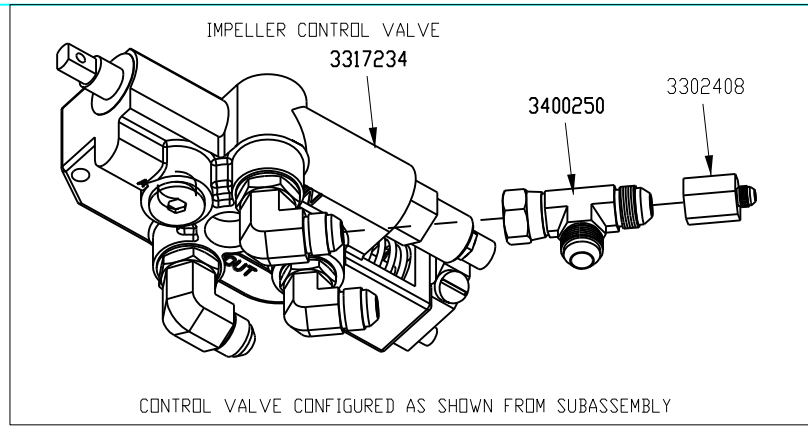
CONFIGURED AS SHOWN FROM SUBASSEMBLY WITH ADDED FITTINGS



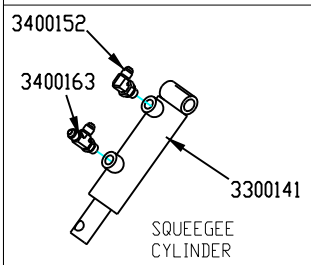
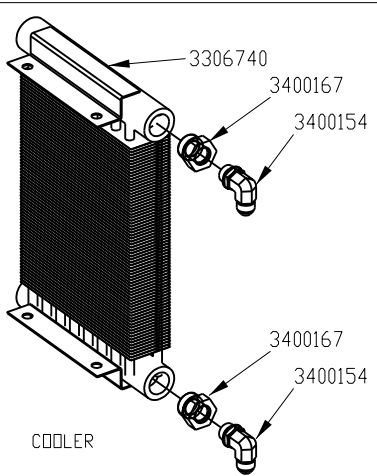
DRIVE AND STEERING FUNCTIONS

11559	1/25/12	RELEASED FOR PRODUCTION	JGH
REV	ECN #	DATE	DESCRIPTION OF CHANGE--IS (WAS)
			BY:

CONFIDENTIAL		SOURCE:		175 Anderson Street Aberdeen, NC 28315	
THIS DRAWING AND ALL INFORMATION CONTAINED HEREIN ARE THE EXCLUSIVE PROPERTY OF MINUTEMAN INTERNATIONAL, INC. THIS DRAWING IS NOT TO BE COPIED OR OTHERWISE REPRODUCED WITHOUT EXPRESSED WRITTEN PERMISSION OF MINUTEMAN INTERNATIONAL, INC. IN ADDITION, THIS DRAWING MUST BE RETURNED UPON REQUEST. FURTHER, ALL INFORMATION CONTAINED HEREIN MUST BE MAINTAINED CONFIDENTIAL.		PN: MATL:		PowerBoss The Power of Clean	
FINISH:		UNSPECIFIED TOLERANCES:		CAD JGH	
.X .1		.XX .03		DATE: 1/25/12	
.XXX .010		ANGULAR: .X .1"		DESCRIPTION	
DES. ENG:		SCHEMATIC HYDRAULIC C90		BY:	
ENG. REL:		PART NO. 3344775		REV * 4 of 6	



CONFIGURED AS SHOWN FROM SUBASSEMBLY WITH ADDED FITTINGS

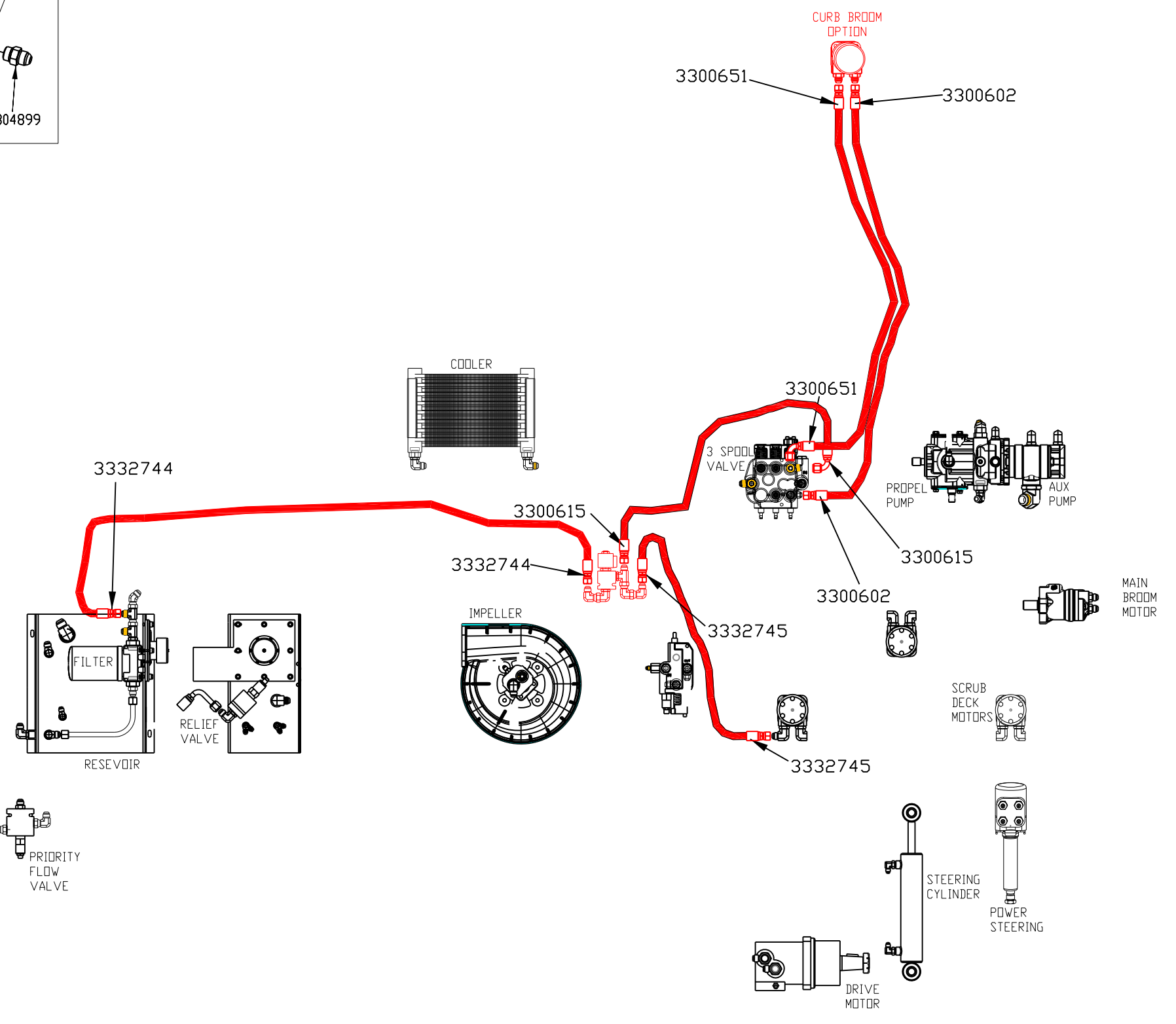
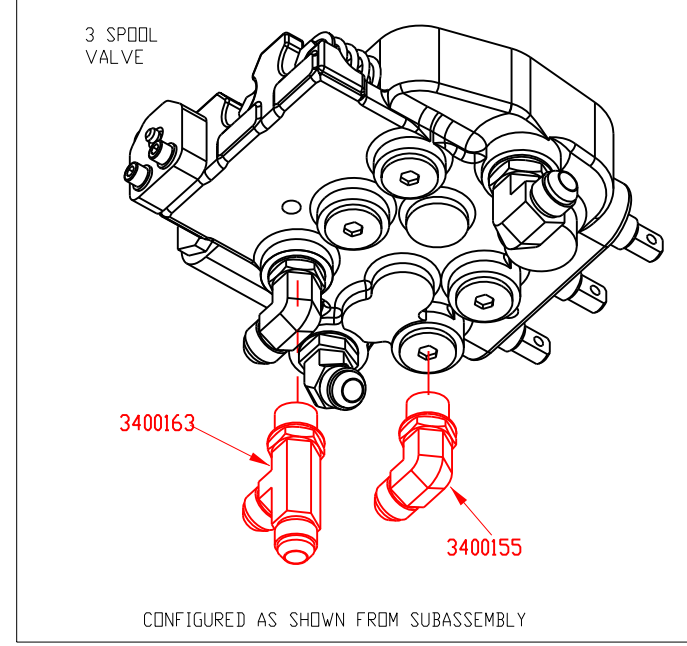
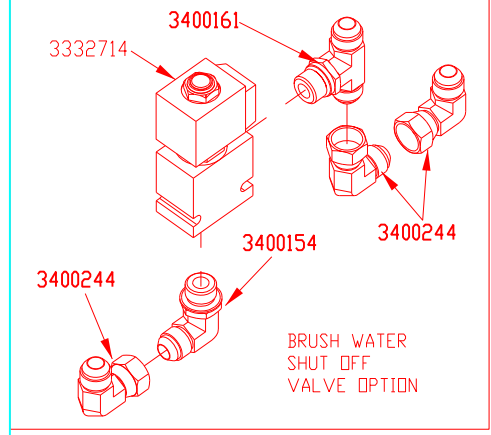
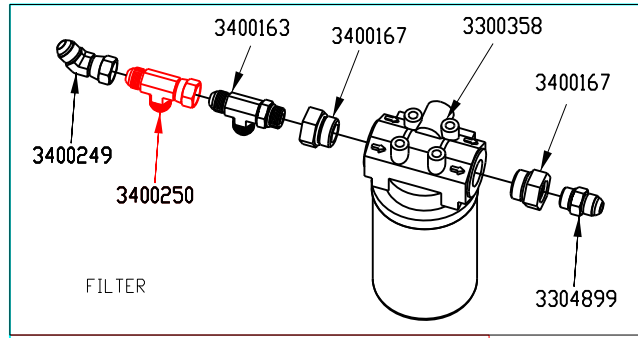


IMPELLER AND SQUEEGEE FUNCTIONS

CONFIDENTIAL				175 Anderson Street Aberdeen, NC 28315 PHONE (910) 944-2105 FAX (910) 944-7409															
SOURCE:	PN:	CAD BY:	DATE: 1/25/12																
MATL:	FINISH:	DESCRIPTION:	SCHEMATIC HYDRAULIC C90																
UNSPECIFIED TOLERANCES:		<table border="1"> <tr> <td>.X</td> <td>.1</td> <td>ANGULAR:</td> <td>X</td> <td>1°</td> </tr> <tr> <td>.XX</td> <td>.03</td> <td></td> <td>X</td> <td>.5°</td> </tr> <tr> <td>.XXX</td> <td>.010</td> <td></td> <td>X</td> <td>.5°</td> </tr> </table>			.X	.1	ANGULAR:	X	1°	.XX	.03		X	.5°	.XXX	.010		X	.5°
.X	.1	ANGULAR:	X	1°															
.XX	.03		X	.5°															
.XXX	.010		X	.5°															
DES. ENG:	ENG. REL:	PART NO. 3344775	REV * 5	SHT NO. 6															

11559	1/25/12	RELEASED FOR PRODUCTION	JGH
REV	ECN #	DATE	DESCRIPTION OF CHANGE-IS (WAS)

3344775



OPTIONAL SIDE BROOM AND WATER BRUSH SHUT OFF

<p>CONFIDENTIAL</p> <p>THIS DRAWING AND ALL INFORMATION CONTAINED THEREIN ARE THE EXCLUSIVE PROPERTY OF MINUTEMAN INTERNATIONAL, INC. THIS DRAWING IS NOT TO BE COPIED OR OTHERWISE REPRODUCED WITHOUT EXPRESSED WRITTEN PERMISSION OF MINUTEMAN INTERNATIONAL, INC. IN ADDITION, THIS DRAWING MUST BE RETURNED UPON REQUEST. FURTHER, ALL INFORMATION CONTAINED HEREIN MUST BE MAINTAINED CONFIDENTIAL.</p>	SOURCE:		175 Anderson Street Aberdeen, NC 28315 PHONE (910) 944-2105 FAX (910) 944-7409									
	PN: MATL:		CAD BY: JGH	DATE: 1/25/12								
	FINISH: UNSPECIFIED TOLERANCES	<table border="1"> <tr> <td>.X</td> <td>.1</td> <td>ANGULAR:</td> </tr> <tr> <td>.XX</td> <td>.03</td> <td>X .1"</td> </tr> <tr> <td>.XXX</td> <td>.010</td> <td>X .5"</td> </tr> </table>	.X	.1	ANGULAR:	.XX	.03	X .1"	.XXX	.010	X .5"	DESCRIPTION
	.X	.1	ANGULAR:									
.XX	.03	X .1"										
.XXX	.010	X .5"										
DES. ENG:	ENG. REL:	PART NO. 3344775	REV * LEV	SHT NO. 6 of 6								

11559	1/25/12	RELEASED FOR PRODUCTION	JGH
REV ECN #	DATE	DESCRIPTION OF CHANGE-IS (WAS)	BY: